



La MARCHÉ®

ISO 9001 CERTIFIED

A96 130VDC SWITCHMODE UTILITY RECTIFIER/ BATTERY CHARGER



23" A96 Cage shown above with 4(four) A96 rectifiers

130 VDC SWITCHMODE UTILITY RECTIFIER

The La Marche A96 provides highly reliable, hot swappable 130 VDC power with full load sharing capability in a compact, modular rectifier system. At a height of only 4RU in a four across 23" rack configuration it offers high power density. There is no need to shut down the system to change a rectifier. With current limiting circuitry, voltage regulation, high efficiency and high power factor, the A96 is the ultimate modular rectifier for Utility applications.

The A96 is more than a rectifier/battery charger, it is also a power supply/battery eliminator. The loss of one rectifier will not affect the operation of the remaining rectifiers. Complete front panel accessibility and a hot plug-in design ensure quick, convenient installation without the possibility of wiring errors.

Adverse power conditions do not affect the DC output. The AC input line regulation operates over a range of 188-264 volts, with a frequency range of 45-66 Hz. This allows it to be used with any 50/60 Hz, 208-240 Volt service line, eliminating the need and expense of stocking different rectifiers for each input voltage. Steady state output voltage remains within $\pm 0.5\%$ of the setting from no load to full load to handle charging today's diverse battery technologies. A standard 23" Rack Mounted Power Cage can hold up to four 20 Amp rectifiers which will provide a total of 80 Amps of power.

Standard Features

Rectifier

- Efficiency > 85% including series output diode
- Single Phase AC Input
- Compact, Modular System
- Power Supply/Battery Eliminator
- Hot Plug-In Design
- Power Factor Correction Circuitry
- Selective High Voltage Shutdown
- Active Load Sharing
- Current Walk-In
- Fan Cooling
- Float/Equalize Switch
- Adjustable Float & Equalize Voltage
- 130 Volts DC, 20 Amps Per Rectifier
- 4 Across Mounting in a 23" Configuration
- 2 Year Warranty

Controller (optional)

- Rack Mount
- Adjustable System Float & Equalize voltage
- Float/Equalize Switch
- Multi-Mode Equalize Timer
- Alarms & Indicators
- LED Display

Options (consult factory)

- Temperature Compensation
- Remote Communications Panel (SCADA compatible)
- 3 across mounting in a 19" configuration
- Three Phase Configuration
- AC & DC Breakers

A96 130VDC SWITCHMODE UTILITY RECTIFIER/ BATTERY CHARGER

130 VDC 60L or 92 NC	Model No.	DC Output		Nominal Current Draw* @ 100% Load (Amps)	Overall Dimensions WxDxH		Cable Entry** (when facing unit)		Mounting	Shipping Weight			
		Amps	Volts		Rectifier	Cage	AC input	DC output		Rectifier		Cage	
	lbs	kgs	lbs	kgs									
A96-20-130V-V1	20	130V	15	5.25"x14.5"x7" 133x368x178mm	21.38"x20.43"x7" 543x519x178mm	Left	Right	23" Rack	14	6.4	40	18.2	

*AC current draw is based @ 100% load and standard battery cells of 60L (130V). Maximum current draw is typically 105% of rating shown.
**Connections are on rear of cage

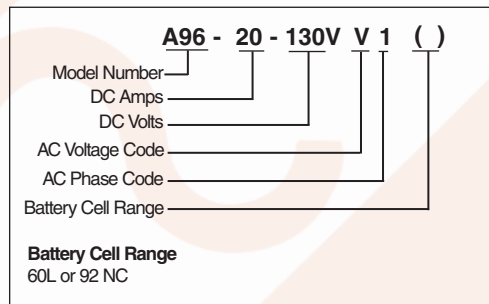
Rectifier Specifications

Input Voltage:	188-264 VAC
Input Frequency:	45-66 Hz
Output Voltage:	
Float:	Adjustable from 120-135V
Equalize:	Adjustable from 130-144V
Power Factor:	> 0.95
Efficiency:	> 85%
Load Regulation:	±0.5%
Line Regulation:	±0.1%
Audible Noise:	< 54dBA
Ripple:	< 30mV RMS
Protection:	Current limit (105%), high voltage shutdown, walk-in circuit.

Environmental

Temperature Standard:	-40°C (-40°F) to 55°C (130°F)
Storage:	-40°C (-40°F) to 85°C (185°F)
Humidity:	0% to 95% relative humidity, non condensing

Model Number Nomenclature



Specifications subject to change without notice

P25-DSA96-1
ECN 17439
03/07

Status and Indicators

Fan failure LED

A Red LED illuminates when the cooling fan is not operating

Over-Temperature LED

A Red LED illuminates upon over temperature of the rectifier.

High DC Voltage Shutdown LED

A Red LED illuminates when the rectifier has shutdown due to the output voltage being greater than 150V.

AC Available LED

A Green LED illuminates when adequate AC voltage is present.

Current Limit LED

A Red LED illuminates when the rectifier is in current limit.

Thermal Control LED

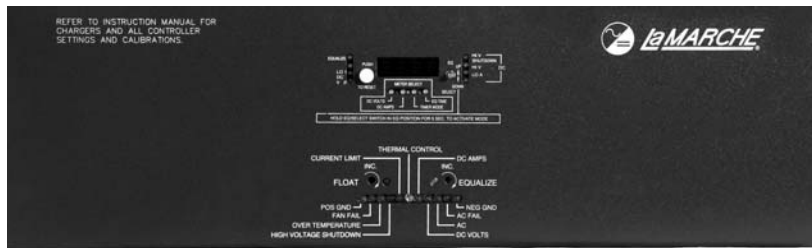
A Yellow LED illuminates when the rectifier is operating at reduced output due to excessive internal temperatures.

DC Amps LED

A Green LED illuminates when the rectifier is operating and producing current

DC Volts LED

A Green LED illuminates when the rectifier is operating between 109 VDC and 148 VDC.



Controller Specifications

Float/Equalize Switch

Multi-Mode Equalize Timer; adjustable from 1-144 hrs

Float Voltage

Adjustable from 120-135V

Equalize Voltage

Adjustable from 130-144V

Alarms

Low DC Voltage 1 Alarm LED w/ (2) sets Form "C", Low DC Voltage 2 Alarm LED only (no contacts), High DC Voltage Alarm LED w/ (2) sets Form "C", High DC Voltage Shutdown Alarm LED w/ (1) set Form "C", Positive Ground Alarm LED w/ (1) set of Form "C", Negative Ground Alarm LED w/ (1) set Form "C", Summary Alarm w/ (2) sets Form "C".

Dimensions

Relay Rack Mount 7.0" H x 23" W

Ordering Information

When ordering, please specify:

- La Marche Model Number A96
- Number and Type of Battery Cells
- Options



laMARCHE[®]

ISO 9001 CERTIFIED

106 Bradrock Drive, Des Plaines, IL 60018
Tel: 1-847-299-1188 Toll Free Fax: 1-888-232-9562
sales@lamarchemfg.com www.lamarchemfg.com